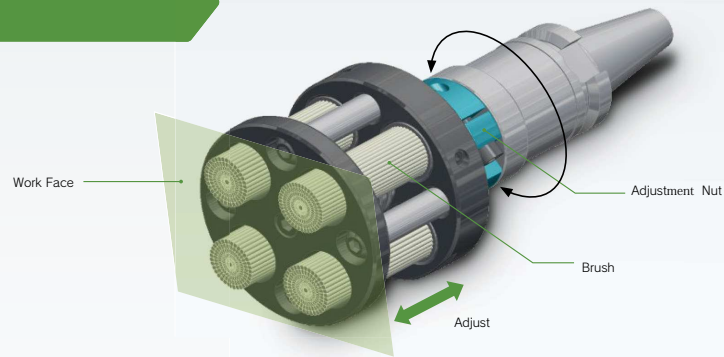


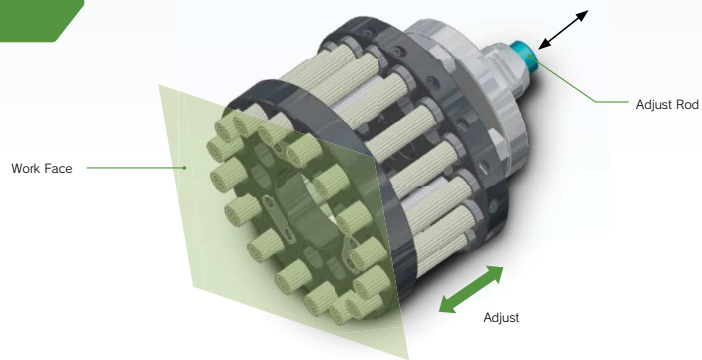
Deburring Holder

Brush Holders (Adjustable System)

Manual Adjust



Auto Adjust

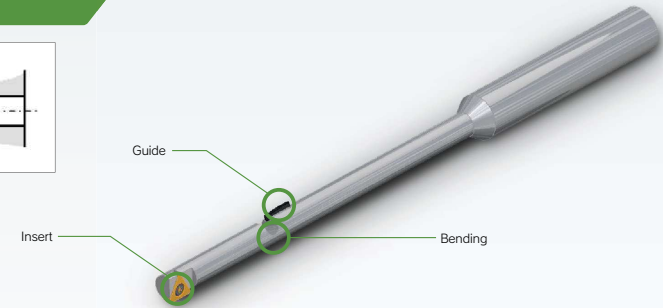
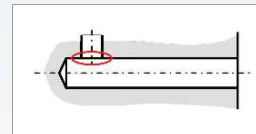


Adjust by Coolant Pressure

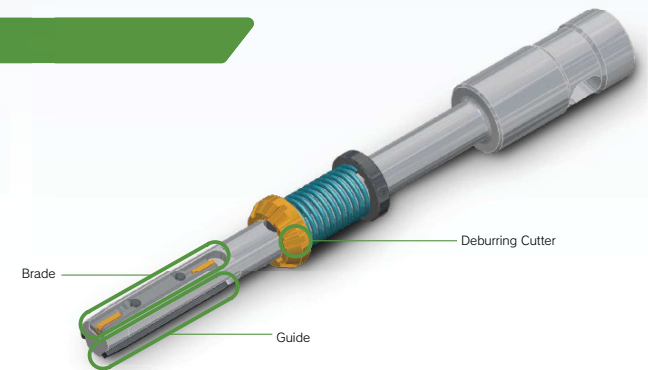
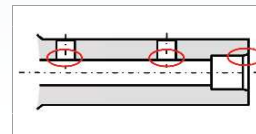


Insert Holder

For Cross Hole



For Cross Hole and Chamfer



For Chamfer

