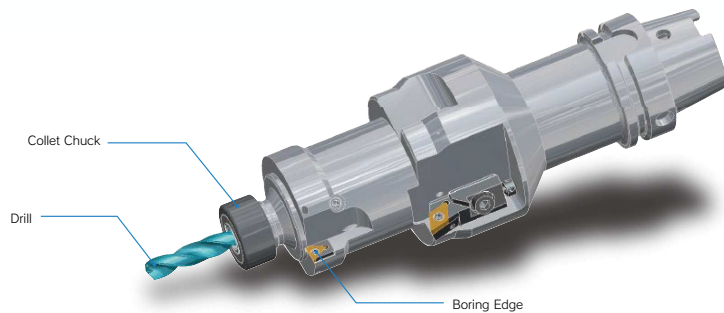


Combination Holder

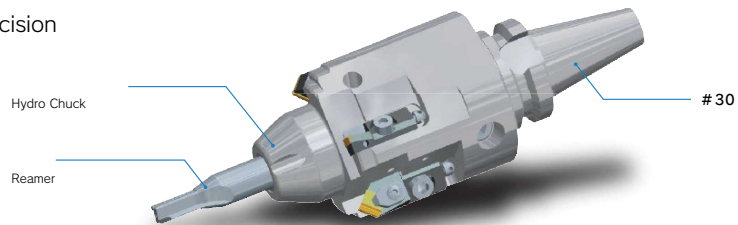
Combination Holder (Collet Chuck Type)

Drilling and Boring with One Body. Machining Efficiency Increased. Number of Tools Reduced.



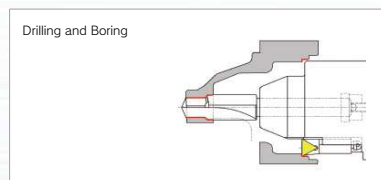
Combination Holder (Hydro Chuck Type)

For High Precision

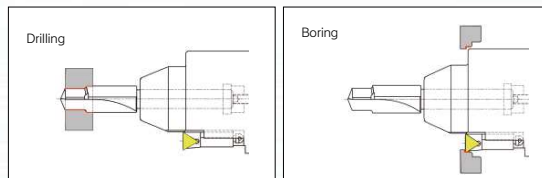


■ Example of Application

Combine for Same Axis Hole



Combine for Different Axis Hole



SWM Cutter

Monolithic Steel Body Milling Cutter with Minimal Length

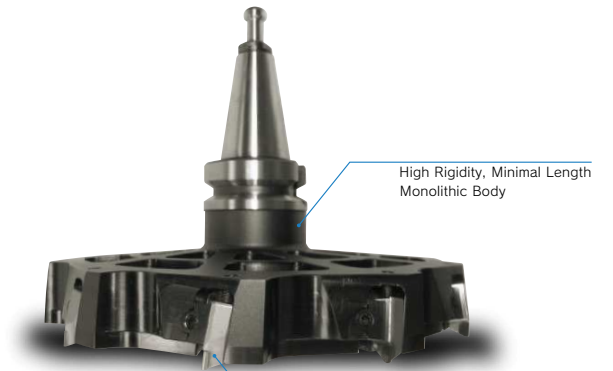
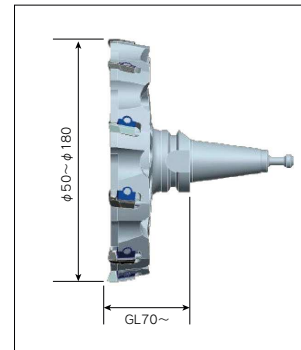
Special Design for #30 Machine

01 GL70 is made possible.

02 3kg up to diameter 180.

03 Rigidity increased by 20%.

※Compared with Aluminum Body



Low Cutting Force by Rake Angle
Low Cost by Resharpener

Multiple Downsized Bits

